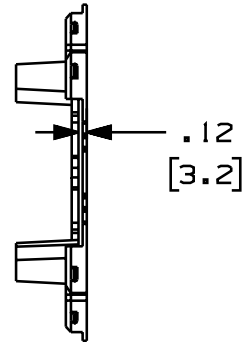
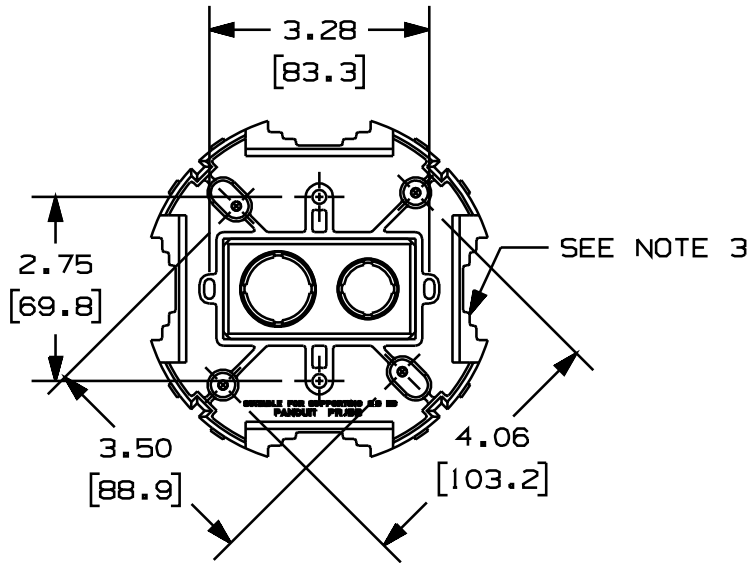


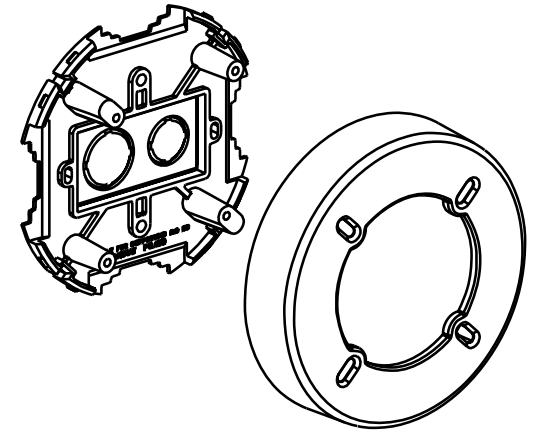
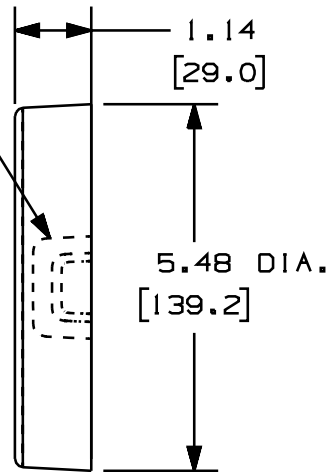
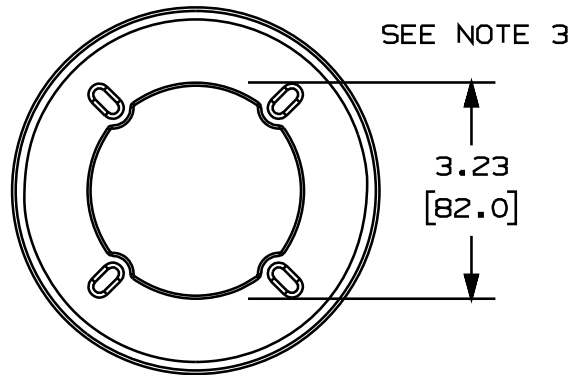
THIS COPY IS PROVIDED ON A RESTRICTED BASIS AND IS NOT TO BE USED IN ANY WAY DETRIMENTAL TO THE INTERESTS OF PANDUIT CORP.



NOMINAL
BASE
THICKNESS

NOTES:

1. SEE CURRENT CATALOG FOR ADDITIONAL PART NUMBER SUFFIXES TO INDICATE COLOR AND OR PACKAGE QUANTITY.
2. SEE CATALOG FOR COMPLETE LIST OF RACEWAYS APPLICABLE FOR USE WITH THIS BOX.
3. CUTOUT PATTERN ALLOWS PRODUCT TO BE USED WITH VARIOUS LOW VOLTAGE RACEWAY SIZES.



PANDUIT P/N	WEIGHT
RJBX3510	0.26 LB/PC. (118g/PC.)

CAD FILENAME/LAYERS D37144BC_DC_RJBX3510_00B.prt

PANDUIT CORP. TINLEY PARK, ILLINOIS

ROUND JUNCTION BOX
(RJBX3510)
CUSTOMER DRAWING

UNLESS OTHERWISE SPECIFIED,
DIMENSIONAL TOLERANCES ARE:
(.X) ± .XXX
(.XX) ± .XXX
ANGLES ±

UNLESS OTHERWISE SPECIFIED,
ALL DIMENSIONS ARE GIVEN
IN INCHES, THIRD ANGLE PROJECTION.

REV	DATE	BY	CHK	DESCRIPTION	ECN	R	CUST	SUP
I	6/13/00	JHNU	HIW	A. REVISED MAT'L: ADDED PVC.	37144-04	HIW	HIW	
R	1/25/00	MSO	HIW	RELEASED TO PRODUCTION	37144-04	HIW	HIW	

DRAWN BY MSO
DATE 1/25/00
CHK'D HIW

MAT'L: PVC

SCALE NONE
DRAWING NO. 37144-04
DWG SIZE A